

cookworks

2-Slice Stainless Steel Grill

Model No. LW-8010A



Care & Instruction Manual

For household and indoor use only


Please read these instructions before use and retain for future reference



Electrical safety

- You should only plug the appliance into a 220V-240V AC, 50Hz supply. Connecting it to other power sources may damage the appliance and will invalidate the guarantee.
- Switch off and unplug when not in use and before cleaning the appliance.
- Keep the appliance and its cord out of reach of children less than 8 years.
- Do not allow children to use the appliance without supervision.
- This appliance can be used by children aged from 8 years and above and persons with reduced physical, sensory or mental capabilities or lack of experience and knowledge if they have been given supervision or instruction concerning use of the appliance in a safe way and understand the hazards involved. Children shall not play with the appliance. Cleaning and user maintenance shall not be made by children unless they are older than 8 and supervised.
- Keep cable and plug and appliance dry and away from areas where it is likely to get splashed. Never immerse in water.
- Do not pull on the cable to disconnect from mains supply.
- Do not operate the appliance if damaged or after it malfunctions. In the event the supply cord is damaged, in order to avoid a hazard it must only be replaced by a qualified service engineer, with a suitably approved part.
- This appliance must be positioned so that the plug is accessible and the plug socket is within easy reach of the power cord.
- This appliance must be plugged in to an earthed socket outlet.

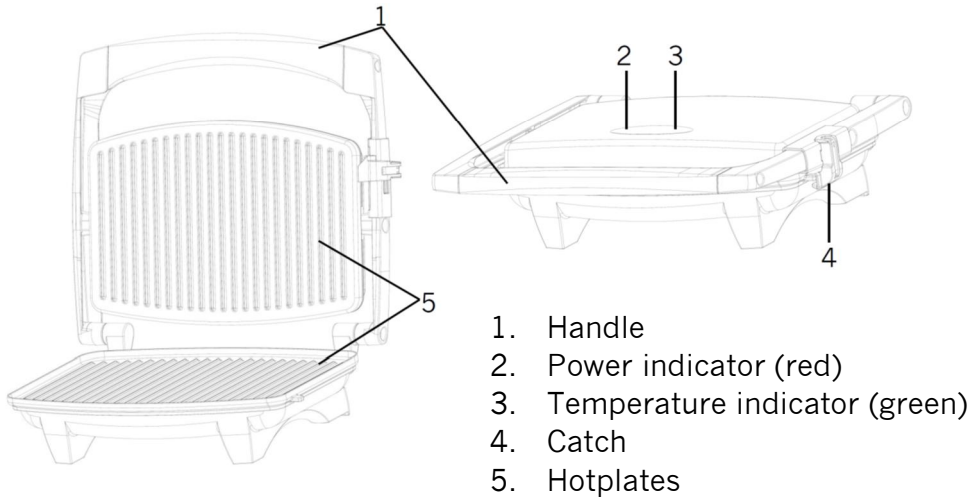
Warning!

- This appliance is intended exclusively for use in domestic households. It is not suitable for commercial use.
- Do not leave unattended during use.
- Do not cover and allow the Panini grill to cool fully before storing.
- Do not operate the Panini grill using a timer or separate remote control.
-  The surfaces of the Panini grill are liable to become hot during and immediately after use; wear oven gloves when handling the appliance. Note the hotplates are subject to residual heat after use.
- Bread may burn, do not use the Panini grill on, near or under flammable materials (e.g. curtains) or heat sensitive surfaces.
- Do not place foil wrapped food in this Panini grill and remove all wrappings from food before toasting.
- The filling of a toasted sandwich and other foodstuffs will be hot, allow it to cool to a comfortable temperature before eating.
- Ensure that there is adequate ventilation. A minimum of 5cm around all sides of the Panini grill is recommended.

FOOD SAFETY

- If using to toast sandwiches - Cook raw fillings (e.g. bacon, chicken fillets etc.) on the Panini grill BEFORE placing into the sandwich.
- If using to grill meat and poultry, make sure the grill is hot before placing the meat on the grill.
- Thoroughly defrost frozen meat and poultry in the refrigerator before cooking. Keep raw meat and poultry separate from cooked foods.
- Always wash hands after handling raw meat and poultry, before handling any ready to eat foods.
- Wipe and disinfect surfaces that have been in contact with raw meat and poultry.
- Use separate utensils for handling raw meat/poultry and cooked food on the grill, or wash them thoroughly between use.
- To check whether meat, particularly poultry, is cooked, pierce the flesh with a skewer or fork; the juices should run clear. Ensure the product is piping hot throughout.

Parts



To use

1. Place the Panini grill on a stable, flat heat resistant surface and clean thoroughly before use.
2. To open the grill plates move the catch at the side of the grill so that the arrow is aligned with the 'unlocked' padlock symbol.
3. Close the lid, plug in and switch the power on at the mains. The red 'power' light will illuminate.
4. Whilst waiting for the grill to reach the correct working temperature prepare the Panini or sandwich.
5. When the hotplate has reached the correct temperature (after approximately 2-3 minutes) the green 'temperature control' light will illuminate.
6. Open the lid and taking care not to touch the hotplates, place the Panini or sandwich centrally on the hotplate. Close the lid slowly until it rests on the food.
7. After approximately 2-4 minutes, check to see if the Panini or sandwich has reached the required level of browning.
8. If satisfactory, remove the Panini using heat resistant plastic or wooden implements. Do not use sharp or metal implements, as this will damage the coating on the hotplates.
9. If more browning is required, close the lid and recheck after a short interval.
10. The Panini grill can be stopped at any time by removing the plug or switching off at the mains.

Notes:

- Before using the Panini grill for the first time, wipe internal surfaces with a damp cloth and then coat the hotplates with some oil or butter. Follow the directions above.
- If using to toast sandwiches, position fillings that are likely to melt (e.g. cheese) toward the center of each sandwich to minimize leakage.
- The Panini grill can be used as a grill and can cook a wide variety of foodstuffs. The foodstuff should be a maximum of 1 cm thick and always ensure food is thoroughly cooked.
- Move the catch so that the arrow is aligned with the 'locked' padlock symbol before carrying by the handle.

Cleaning

Clean the Panini grill after each use.

1. Switch off and unplug the Panini grill from the mains and allow the grill to cool before cleaning.
2. Using a tool suitable for non stick surfaces, scrape food debris from the surface of the hotplates when the hotplates are still slightly warm.
3. Wipe the cool hotplates with paper kitchen towel to remove grease before wiping with a damp (not wet) dishcloth soaked in washing up water.
4. Wipe again with a damp dishcloth, this time soaked in clean water and dry thoroughly with paper kitchen towel.
5. If any filling is difficult to remove, pour a little cooking oil onto the hotplate and wipe off after 5 minutes when the filling has softened.
6. Wipe outside surfaces with a soft damp cloth and ensure that no moisture or oil enters the cooling slots. Do not use detergents or abrasives as these may scratch the surface and **never immerse in water**.
7. Allow all surfaces to fully dry before using the Panini grill again.

Technical specification

Rated voltage	220-240V AC 50Hz
Power consumption	1000W
Class rating	I (Earthed)
BS 1362 fuse	13A



Plug / Wiring advice

The wires in this mains lead are coloured in accordance with the following UK electrical code:

BLUE = NEUTRAL

BROWN = LIVE

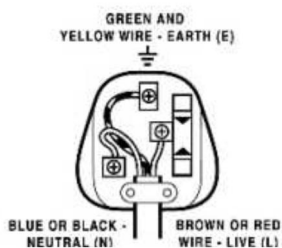
GREEN + YELLOW = EARTH

Non-rewireable plug

This appliance may be fitted with a “non-rewireable” plug. If you need to change the fuse in a “non-rewireable” plug, the fuse cover must be refitted. If the fuse cover is lost or damaged, the appliance must not be used.


Rewireable plug

The colours of the wires in the mains lead of this appliance may not correspond with the coloured markings identifying the terminals in a rewireable plug. **Rewireable plugs should only be replaced by a suitably competent person. If in doubt, consult a qualified electrician.**



The BLUE wire must be connected to the terminal marked with the letter N

The BROWN wire must be connected to the terminal marked with the letter L

The GREEN & YELLOW wire must be connecting to the terminal marked with the letter E or the earth symbol .

Recycling electrical products



This marking indicates that this product should not be disposed with other household wastes throughout the EU. To prevent possible harm to the environment or human health from uncontrolled waste disposal, recycle it responsibly to promote the sustainable reuse of material resources. To return your used device, please use the return and collection systems or contact the retailer where the product was purchased. They can take this product for environmental safe recycling.

If you encounter any problems with this product please call our customer care team on 0345 640 30 30

Produced in China for Argos Limited, 489 – 499 Avebury Boulevard Central Milton Keynes MK9 2NW. UK.



PRODUCT GUARANTEE

This product is guaranteed against manufacturing defects for a period of



Year

This product is guaranteed for twelve months from the date of original purchase.

Any defect that arises due to faulty materials or workmanship will either be replaced, refunded or repaired free of charge where possible during this period by the dealer from whom you purchased the unit.

The guarantee is subject to the following provisions:

- The guarantee does not cover accidental damage, misuse, cabinet parts, knobs or consumable items.
- The product must be correctly installed and operated in accordance with the instructions contained in this manual. A replacement copy of this instruction manual can be obtained from www.argos-support.co.uk
- It must be used solely for domestic purpose.
- The guarantee will be rendered invalid if the product is re-sold or has been damaged by inexpert repair.
- Specifications are subject to change without notice.
- The manufacturer disclaims any liability for the incidental or consequential damages.
- The guarantee is in addition to, and does not diminish your statutory or legal rights.

Guarantor: Argos Ltd
489 - 499 Avebury Boulevard
Central Milton Keynes
MK9 2NW
www.argos-support.co.uk